

KCP-1

▶ 柱式稱重傳感器 COLUMN LOAD CELL

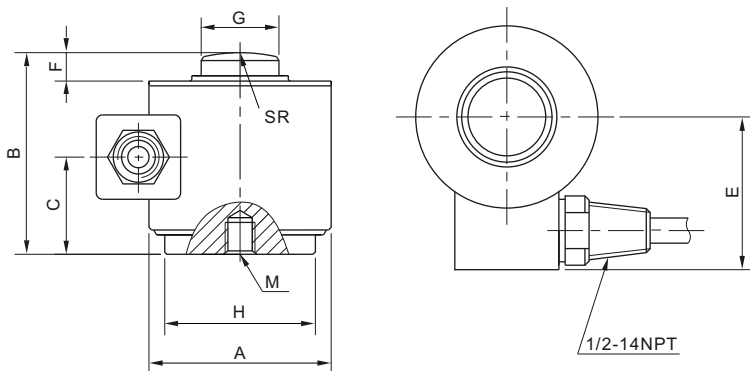
▶ 材質：合金鋼 不銹鋼
Materials: Alloy Steel Stainless Steel



INTERCHANGEABLE PRODUCTS

Manufacturer	Model
Artech.....	90210
Cardinal.....	CP1
Howe/Richardson.....	20908XXX
Revere Transducers.....	392B
Streeter Ament.....	3753070,3752030,3752040,3751940
Totalcomp.....	TCP1
Cotiinc.....	CP175

Main Dimensions and Accessories
主要外形尺寸



量程 Capacity		尺寸 Size mm								M		
t	Klb	A	B	C	E	F	G	H	SR	inch	mm	DP
5-20	10-50	75.0	83.0	32.5	64.0	10.0	31.8	62.0	125.0	1/2-20	M12X1.75	13.0
45	100	100.6	127.0	54.6	86.0	14.0	59.0	79.5	152.0	1/2-20	M18X1.5	18.0
90-180	200-400	150.6	184.5	92.0	108.0	26.0	80.0	134.4	400.0	3/4-16	M20X1.5	25.0
225	500	165.0	229.0	92.0	108.0	26.0	93.7	148.0	400.0	3/4-16	M20X1.5	25.0
450	1000	177.0	215.9	117.0	115.0	22.0	139.7	165.1	1143.0	3/4-16	M20X1.5	32.0

▶ 主要技術指標 SPECIFICATIONS

◇靈敏度Rated Output(mV/V)	1.75±0.01 2.00±0.01	◇輸入電阻Input Resistance(Ω)	450±5
◇非線性Nonlinearity	±0.02%FS ±0.03%FS	◇輸出電阻Output Resistance(Ω)	480±3
◇滯后Hysteresis	±0.02%FS ±0.03%FS	◇絕緣電阻Insulation Resistance	≥5000MΩ
◇重復性Repeatability	±0.01%FS	◇供橋電壓Excitation Voltage	10V(DC/AC)
◇蠕變Creep(30minutes)	±0.02%FS	◇溫度補償範圍Compensated Temperature Range	-10℃~+50℃
◇零點輸出Zero Balance	±1.00%FS	◇使用溫度範圍Operating Temperature Range	-20℃~+60℃
◇零點溫度系數Temperature Effect on Zero	±0.02%FS/10℃	◇允許過載負荷Safe Overload	120%FS
◇額定輸出溫度系數Temperature Effect on Output	±0.02%FS/10℃	◇連接電纜Cable	Φ6×9(12)m

連接方法Cable Color Code

Input: Red(+) Black(-); Output: Green(+) White(-); Sense: Blue(+) Yellow(-)
輸入：紅(+) 黑(-)；輸出：綠(+) 白(-)；反饋：藍(+) 黃(-)