

KCP-2

▶ 柱式稱重傳感器 COLUMN LOAD CELL

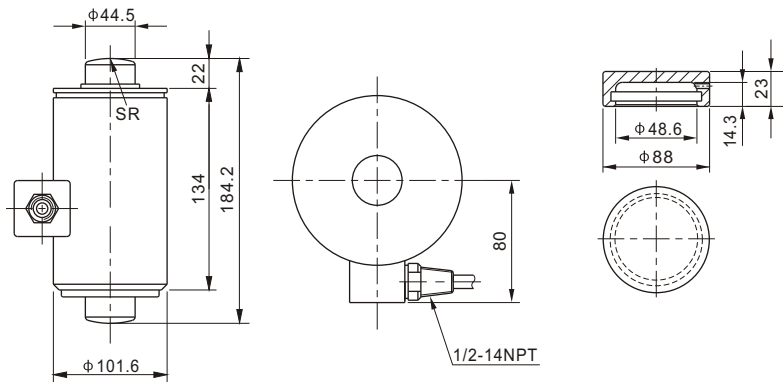
▶ 材質：合金鋼 不銹鋼
Materials: Alloy Steel Stainless Steel



INTERCHANGEABLE PRODUCTS

Manufacturer	Mode
Cardinal.....	SCA,HDD
Totalcomp.....	TCSCA
Rice Lake Weighing Systems.....	RLSCA
Cotiinc.....	CP26S

Main Dimensions and Accessories
主要外形尺寸



量程 Capacity		尺寸 Size mm
t	Klb	SR
20	50	250.0
45	100	355.6

▶ 主要技術指標 SPECIFICATIONS

◇靈敏度Rated Output(mV/V)	2.00±0.01	◇輸入電阻Input Resistance(Ω)	765±15
◇非線性Nonlinearity	±0.02%FS	◇輸出電阻Output Resistance(Ω)	700±5
◇滯后Hysteresis	±0.02%FS	◇絕緣電阻Insulation Resistance	≥5000M Ω
◇重復性Repeatability	±0.01%FS	◇供橋電壓Excitation Voltage	10V(DC/AC)
◇蠕變Creep(30minutes)	±0.02%FS	◇溫度補償範圍Compensated Temperature Range	-10°C~+50°C
◇零點輸出Zero Balance	±1.00%FS	◇使用溫度範圍Operating Temperature Range	-20°C~+60°C
◇零點溫度系數Temperature Effect on Zero	±0.02%FS/10°C	◇允許過載負荷Safe Overload	120%FS
◇額定輸出溫度系數Temperature Effect on Output	±0.02%FS/10°C	◇連接電纜Cable	$\phi 6 \times 12m$

連接方法Cable Color Code

Input: Red(+) Black(-); Output: Green(+) White(-); Sense: Blue(+) Yellow(-)
輸入：紅(+) 黑(-)；輸出：綠(+) 白(-)；反饋：藍(+) 黃(-)