

KCP-4

▶ 柱式稱重傳感器 COLUMN LOAD CELL

▶ 材質：合金鋼 不銹鋼
Materials: Alloy Steel StainlessSteel

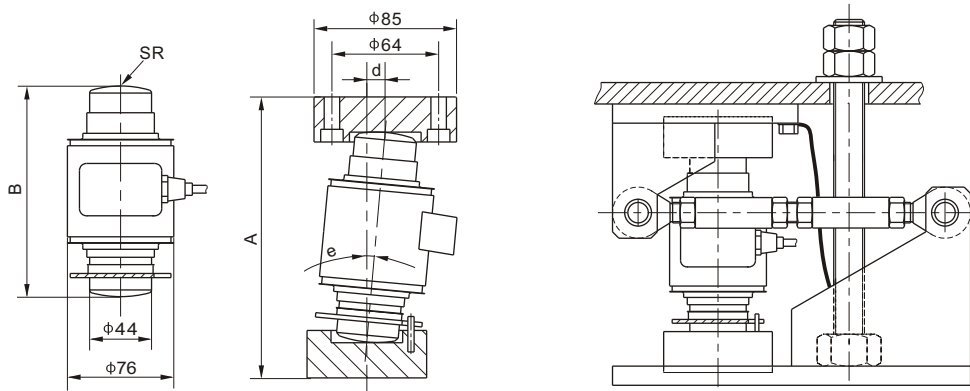


INTERCHANGEABLE PRODUCTS

Manufacturer _____ Mode _____

HBM.....C16
Cotiinc.....CP26S4

Main Dimensions and Accessories
主要外形尺寸



量程 Capacity t	尺寸 Size mm				
	A	B	d(max)	e(max)	SR
20	200.0	150.0	13.0	5.0°	130.0
30	200.0	150.0	13.0	5.0°	160.0
40	200.0	150.0	13.0	5.0°	180.0
50	260.0	210.0	11.0	3.0°	220.0

▶ 主要技術指標 SPECIFICATIONS

◇靈敏度Rated Output(mV/V)	2.00±0.01	◇輸入電阻Input Resistance(Ω)	400±10
◇非線性Nonlinearity	±0.02%FS	◇輸出電阻Output Resistance(Ω)	350±5
◇滯后Hysteresis	±0.02%FS	◇絕緣電阻Insulation Resistance	≥5000MΩ
◇重復性Repeatability	±0.01%FS	◇供橋電壓Excitation Voltage	10V(DC/AC)
◇蠕變Creep(30minutes)	±0.02%FS	◇溫度補償範圍Compensated Temperature Range	-10℃~+50℃
◇零點輸出Zero Balance	±1.00%FS	◇使用溫度範圍Operating Temperature Range	-20℃~+60℃
◇零點溫度系數Temperature Effect on Zero	±0.02%FS/10℃	◇允許過載負荷Safe Overload	120%FS
◇額定輸出溫度系數Temperature Effect on Output	±0.02%FS/10℃	◇連接電纜Cable	Φ6×9m(12m)

連接方法Cable Color Code

Input: Red(+) Black(-); Output: Green(+) White(-); Sense: Blue(+) Yellow(-)
輸入：紅(+) 黑(-)；輸出：綠(+) 白(-)；反饋：藍(+) 黃(-)