

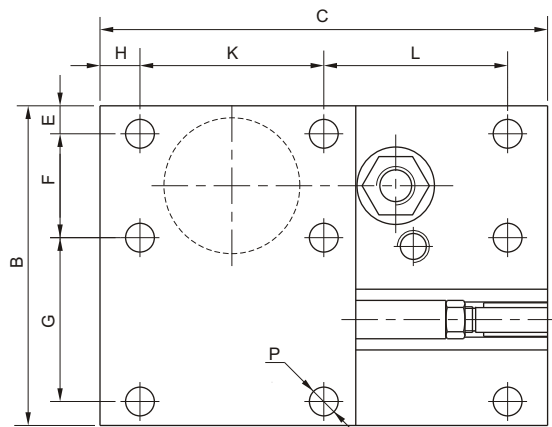
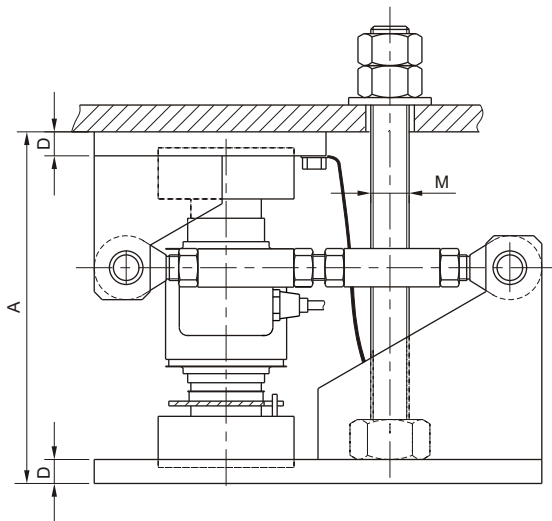
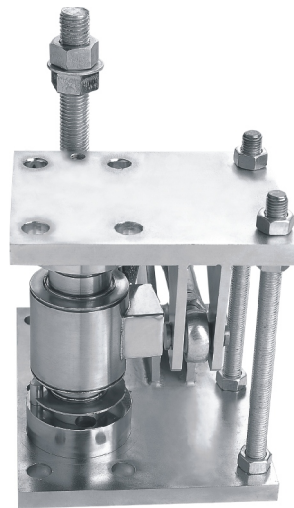
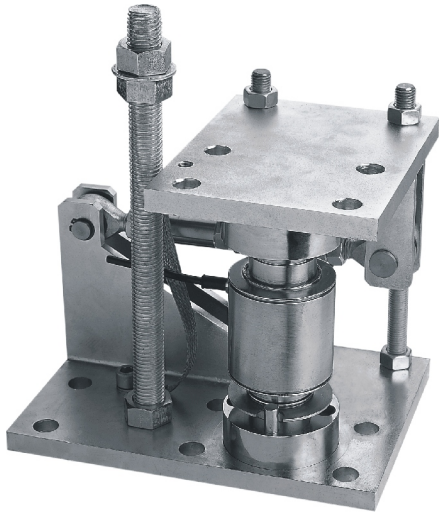
KCP-4M

▶ 傳感器稱重模塊

Mount For CP-4

▶ 材質：合金鋼 不銹鋼

Materials: Alloy Steel Stainless Steel



量程 Capacity t	尺寸 Size mm											
	A	B	C	D	E	F	G	H	K	L	P	M
20	220.0	200.0	280.0	15.0	17.5	65.0	120.5	25.0	115.0	115.0	18.0	24.0
30	220.0	200.0	280.0	15.0	17.5	65.0	102.5	25.0	115.0	115.0	18.0	24.0
40	220.0	200.0	280.0	15.0	17.5	65.0	102.5	25.0	115.0	115.0	18.0	24.0
50	290.0	200.0	280.0	20.0	17.5	65.0	102.5	25.0	115.0	115.0	18.0	36.0