

# KCP-7

► 稱重傳感器  
LOAD CELL

► 材質：不銹鋼  
Material: Stainless Steel

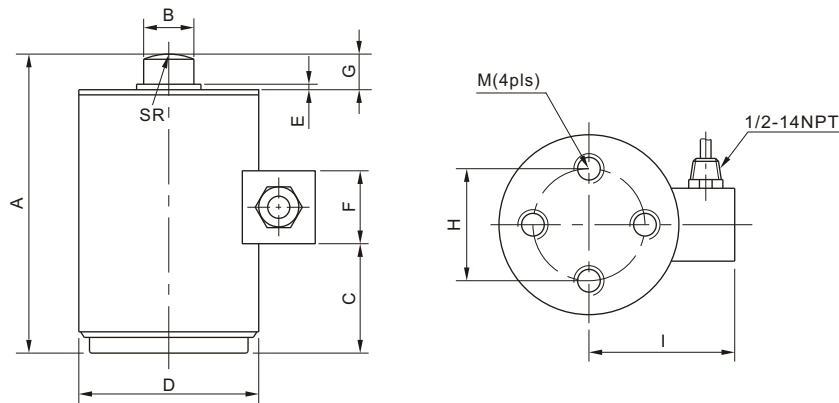
## INTERCHANGEABLE PRODUCTS



Manufacturer	Model
Artech	90405
BLH	C2P1
HBM	C-10
Fairbanks	3-38065-1
Revere	792
Sensortionice	65088-1114
Streeter	20116 Series, 3761281
Toledo	10048200A, 10014900A
Totalcomp	TC-C2P1
Rice Lake Weighing	RL8C2P1SS
Cotiinc	CP26S3

Main Dimensions and Accessories

主要外形尺寸



量程 Capacity Klb	尺寸 Size mm										
	A	B	C	D	E	F	G	H	I	M	SR
20-50	190.5	31.8	77.7	114.6	6.4	50.0	19.1	60.5	86.3	3/8-24x16	203.2
100	231.9	44.5	66.0	151.6	4.3	50.0	22.1	101.6	111.7	1/2-20x19	304.8
200	295.4	63.5	100.3	203.2	4.3	50.0	24.7	203.2	127.6	5/8-18x25.4	304.8

## ► 主要技術指標 SPECIFICATIONS

◇ 靈敏度 Rated Output (mV/V)	2.00 ± 0.01	◇ 輸入電阻 Input Resistance (Ω)	400 ± 10
◇ 非線性 Nonlinearity	± 0.03% FS	◇ 輸出電阻 Output Resistance (Ω)	350 ± 5
◇ 滯后 Hysteresis	± 0.03% FS	◇ 絕緣電阻 Insulation Resistance	≥ 5000 MΩ
◇ 重復性 Repeatability	± 0.02% FS	◇ 供橋電壓 Excitation Voltage	10V (DC/AC)
◇ 蠕變 Creep (30 minutes)	± 0.03% FS	◇ 溫度補償範圍 Compensated Temperature Range	-10°C ~ +50°C
◇ 零點輸出 Zero Balance	± 1.00% FS	◇ 使用溫度範圍 Operating Temperature Range	-20°C ~ +60°C
◇ 零點溫度系數 Temperature Effect on Zero	± 0.03% FS/10°C	◇ 允許過載負荷 Safe Overload	120% FS
◇ 額定輸出溫度系數 Temperature Effect on Output	± 0.03% FS/10°C	◇ 連接電纜 Cable	Φ6 × 15m

### 連接方法 Cable Color Code

Input: Red (+) Black (-); Output: Green (+) White (-)  
輸入：紅 (+) 黑 (-)；輸出：綠 (+) 白 (-)