



▶ 筒式測力傳感器
HOLLOW LOAD CELL

▶ 材質： 合金鋼
Material: Alloy Steel

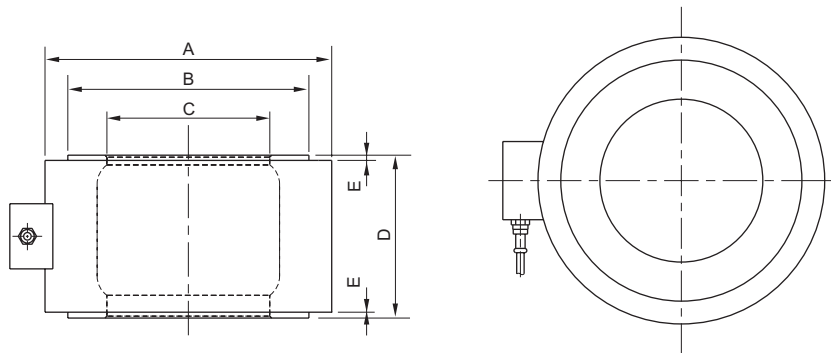


KCW型筒式測力傳感器採用筒狀結構，彈性體選用合金鋼材料，外型尺寸小，承載能力、抗衝擊能力強，加工工藝性好，並經過了嚴格的工藝流程控制。可用於制作冶金行業中軋鋼機械的軋制力控制和工藝控制等計量設備，並在建築行業有廣泛的應用。

Hollow structure, alloy steel material
Low profile, strong shock resistance
Good machining technics, strict production flow controlled.
Used to control rolling force in metallurgy industry process control devices and other measuring equipments, as well as used in architecture industry.

Main Dimensions and Accessories

主要外形尺寸



尺寸 Size mm	量程 Capacity										
	500kg	1t	2t	3t	5t	10t	20t	50t	100t	200t	300t
A	40.0	62.0	62.0	62.0	62.0	62.0	90.0	115.0	158.0	240.0	240.0
B	35.0	55.0	55.0	55.0	55.0	55.0	68.0	109.0	118.0	190.0	195.0
C	10.0	18.0	18.0	18.0	18.0	18.0	43.0	80.0	85.0	120.0	120.0
D	50.0	74.0	70.0	70.0	70.0	80.0	80.0	110.0	110.0	120.0	120.0
E	1.0	2.0	2.0	2.0	2.0	2.0	3.0	3.0	3.0	3.0	3.0

▶ 主要技術指標
SPECIFICATIONS

◇靈敏度Rated Output(mV/V)	1.00±0.1	◇輸入電阻Input Resistance(Ω)	385±10
◇非線性Nonlinearity	±0.1%FS ±0.5%FS	◇輸出電阻Output Resistance(Ω)	350±3
◇滯后Hysteresis	±0.1%FS	◇絕緣電阻Insulation Resistance	≥5000MΩ
◇重復性Repeatability	±0.05%FS	◇供橋電壓Excitation Voltage	10V(DC/AC)
◇蠕變Creep(30minutes)	±0.1%FS	◇溫度補償範圍Compensated Temperature Range	-10℃~+50℃
◇零點輸出Zero Balance	±2.00%FS	◇使用溫度範圍Operating Temperature Range	-20℃~+60℃
◇零點溫度系數Temperature Effect on Zero	±0.1%FS/10℃	◇允許過載負荷Safe Overload	150%FS
◇額定輸出溫度系數Temperature Effect on Output	±0.05%FS/10℃	◇連接電纜Cable	Φ5(Φ6)×6m

連接方法Cable Color Code

Input: Red(+) Black(-); Output: Green(+) White(-)
輸入：紅(+) 黑(-)；輸出：綠(+) 白(-)