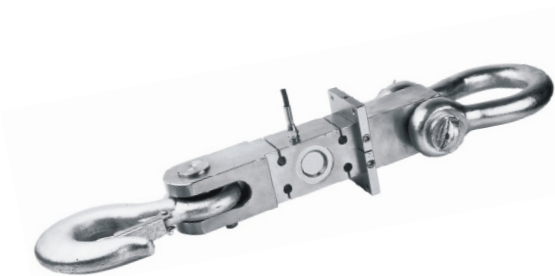


# KET-1

## 吊秤專用傳感器 SPECIAL LOAD CELL FOR CRANE SCALE

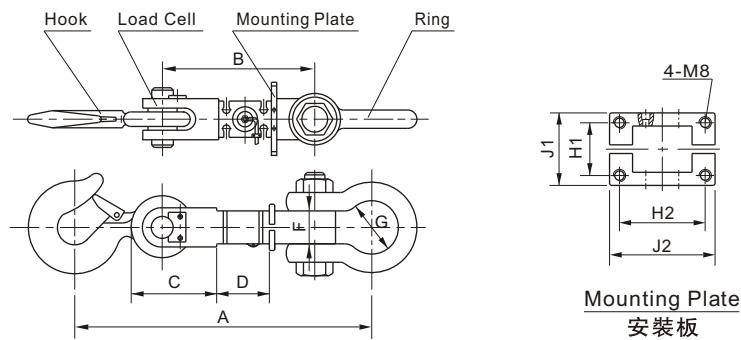
材質：合金鋼  
Material: Alloy Steel



KET-1型稱重傳感器是吊鉤稱專用傳感器，彈性體采用整體合金鋼制作，具有過載能力強、精度高、抗偏載能力好等優點。在彈性體的上下端配套了專用的吊環、吊鉤，組裝吊秤十分方便。

Special load cell for crane scale  
Elastomer use integral alloy steel  
High precision, strong overload protection capability and anti-deflective loading  
With special ring and hook, easy to install

Main Dimensions and Accessories  
主要外形尺寸



| 量程<br>Capacity<br>t | 尺寸 Size mm |       |       |       |       |      |       |        |         |
|---------------------|------------|-------|-------|-------|-------|------|-------|--------|---------|
|                     | A          | B     | C     | D     | E     | F    | G     | H1xH2  | J1xJ2   |
| 1-3                 | 443.0      | 260.0 | 98.0  | 110.0 | 56.0  | 43.0 | 68.0  | 60x70  | 74x84   |
| 5                   | 547.0      | 303.0 | 118.0 | 120.0 | 68.0  | 54.0 | 92.0  | 65x90  | 82x110  |
| 10                  | 611.0      | 325.0 | 133.0 | 130.0 | 80.0  | 60.0 | 99.0  | 76x110 | 100x130 |
| 20                  | 740.0      | 354.0 | 158.0 | 148.0 | 106.0 | 70.0 | 146.0 | 80x130 | 110x160 |
| 30                  | 911.0      | 436.0 | 188.0 | 170.0 | 102.0 | 80.0 | 184.0 | 80x130 | 110x160 |

### 主要技術指標 SPECIFICATIONS

|                                       |               |                                      |              |
|---------------------------------------|---------------|--------------------------------------|--------------|
| ◇靈敏度Rated Output(mV/V)                | 1.5±0.025     | ◇輸入電阻Input Resistance(Ω)             | 765±15       |
| ◇非線性Nonlinearity                      | ±0.02%FS      | ◇輸出電阻Output Resistance(Ω)            | 700±5        |
| ◇滯后Hysteresis                         | ±0.02%FS      | ◇絕緣電阻Insulation Resistance           | ≥5000MΩ      |
| ◇重復性Repeatability                     | ±0.01%FS      | ◇供橋電壓Excitation Voltage              | 10V(DC/AC)   |
| ◇蠕變Creep(30minutes)                   | ±0.02%FS      | ◇溫度補償範圍Compensated Temperature Range | -10°C~+50°C  |
| ◇零點輸出Zero Balance                     | ±1.00%FS      | ◇使用溫度範圍Operating Temperature Range   | -20°C~+60°C  |
| ◇零點溫度系數Temperature Effect on Zero     | ±0.02%FS/10°C | ◇允許過載負荷Safe Overload                 | 300%FS       |
| ◇額定輸出溫度系數Temperature Effect on Output | ±0.02%FS/10°C | ◇連接電纜Cable                           | Φ4×0.5(1.0)m |

### 連接方法Cable Color Code

Input: Red(+) Black(-); Output: Green(+) White(-);  
輸入：紅(+) 黑(-)；輸出：綠(+) 白(-)；