

KET-2

▶ 拉式稱重傳感器
TENSION LOAD CELL

▶ 材質：合金鋼
Material: Alloy Steel

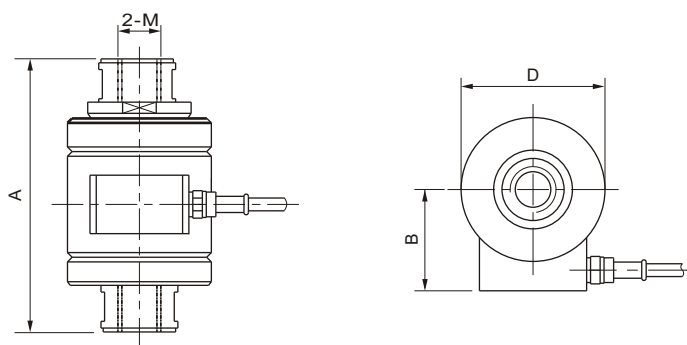


KET-2型稱重傳感器,結構緊湊、安裝方便,膠封或焊接密封結構,防護性好,在制造機電結合秤、吊鈎秤、料鬥秤及在水泥廠的配料稱中得到廣泛的應用。

Compact structure, simple to install
Welded sealed, good barrier property
Widely used in electromechanical scale, crane scale, hopper scale, batching scales for cement plant, etc.

Main Dimensions and Accessories

主要外形尺寸



量 程 Capacity t	尺寸 Size mm						
	0.1-1	2-3	5-7	10	15	20	30
A	104.0	120.0	130.0	156.0	170.0	190.0	230.0
B	40.0	45.5	46.0	77.5	77.5	82.0	85.0
D	56.0	65.0	65.0	101.0	101.0	110.0	116.0
M	M16x1.5	M24x2	M24x2	M33x2	M36x3	M42x3	M45x3

▶ 主要技術指標 SPECIFICATIONS

◇靈敏度Rated Output(mV/V)	2.0±0.025	◇輸入電阻Input Resistance(Ω)	385±10 710±15
◇非線性Nonlinearity	±0.02%FS ±0.03%FS	◇輸出電阻Output Resistance(Ω)	350±3 650±5
◇滯后Hysteresis	±0.02%FS ±0.03%FS	◇絕緣電阻Insulation Resistance	≥5000MΩ
◇重復性Repeatability	±0.01%FS ±0.02%FS	◇供橋電壓Excitation Voltage	10V(DC/AC)
◇蠕變Creep(30minutes)	±0.03%FS	◇溫度補償範圍Compensated Temperature Range	-10℃~+50℃
◇零點輸出Zero Balance	±1.00%FS	◇使用溫度範圍Operating Temperature Range	-20℃~+60℃
◇零點溫度系數Temperature Effect on Zero	±0.03%FS/10℃	◇允許過載負荷Safe Overload	120%FS
◇額定輸出溫度系數Temperature Effect on Output	±0.03%FS/10℃	◇連接電纜Cable	Φ5(6)×5m(10m)

連接方法Cable Color Code

Input: Red(+) Black(-); Output: Green(+) White(-);
輸入: 紅(+) 黑(-); 輸出: 綠(+) 白(-);