

▶ KGF-1

▶ 橋式稱重傳感器 BRIDGE LOAD CELL

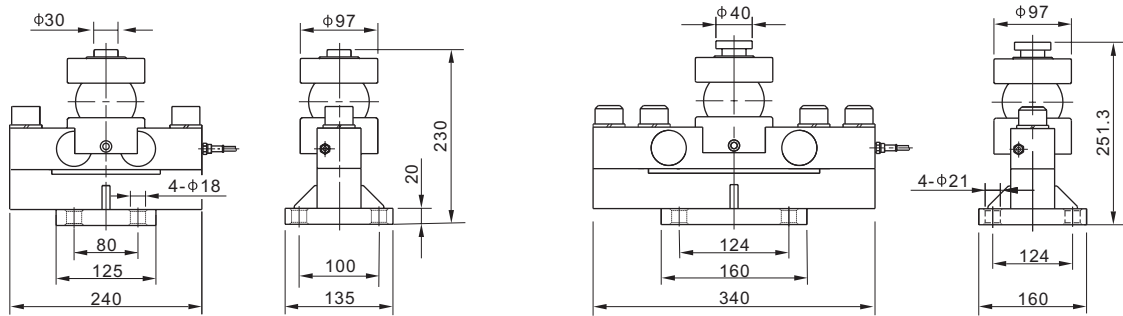
▶ 材質：合金鋼 不銹鋼
Materials: Alloy Steel Stainless Steel



KGF-1型橋式稱重傳感器採用獨特的橋式結構，傳力組件採用壓頭、鋼球結構，可自動復位和調心，傳感器抗側向力和抗衝擊性能好。經過良好的防潮密封，適應惡劣工作環境。安裝方便、互換性好，可用于製造各種電子汽車衡、軌道衡、料鬥稱及各種專用衡器。

Unique bridge structure, cup and steel ball mounted
Self-resetting and centering, good side force resistance and shock resistance
Moistureproof sealed, ideal for hostile environment
Simple to install, easy to use, good interchangeability
Suitable for electronic truck scale, railroad scale, hopper scale and various special scales.

Main Dimensions and Accessories
主要外形尺寸



量程 **Capacity:** 10,15,20,25,30t

重量 **Capacity:** 50 t

▶ 主要技术指标 SPECIFICATIONS

◇靈敏度Rated Output(mV/V)	2.00±0.01	◇輸入電阻Input Resistance(Ω)	770±5
◇非線性Nonlinearity	±0.02%FS	◇輸出電阻Output Resistance(Ω)	700±3
◇滯后Hysteresis	±0.02%FS	◇絕緣電阻Insulation Resistance	≥5000MΩ
◇重復性Repeatability	±0.01%FS	◇供橋電壓Excitation Voltage	10V(DC/AC)
◇蠕變Creep(30minutes)	±0.02%FS	◇溫度補償範圍Compensated Temperature Range	-10°C~+50°C
◇零點輸出Zero Balance	±1.00%FS	◇使用溫度範圍Operating Temperature Range	-20°C~+60°C
◇零點溫度系數Temperature Effect on Zero	±0.02%FS/10°C	◇允許過載負荷Safe Overload	120%FS
◇額定輸出溫度系數Temperature Effect on Output	±0.02%FS/10°C	◇連接電纜Cable	Φ6×12m

連接方法Cable Color Code

Input: Red(+) Black(-); Output: Green(+) White(-)
輸入：紅(+) 黑(-)；輸出：綠(+) 白(-)