

▶ KGF-8

▶ 橋式稱重傳感器 BRIDGE LOAD CELL

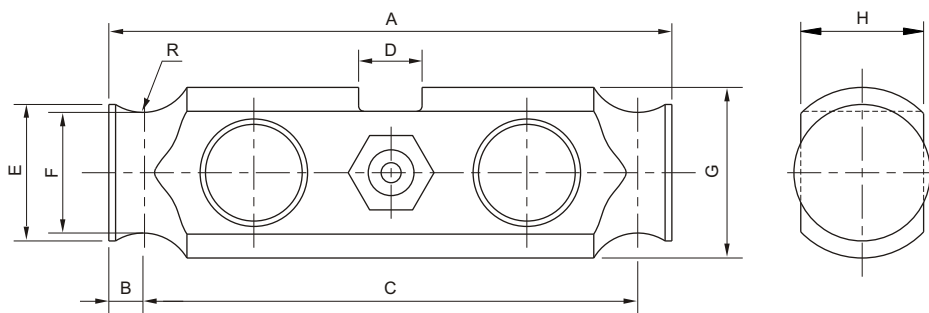
▶ 材質：不銹鋼
Material: Stainless Steel



INTERCHANGEABLE PRODUCTS

Manufacturer	Model
Cardinal.....	DB35000S DB50000S
Cotiinc.....	CI-DB50000S

Main Dimensions and Accessories
主要外形尺寸



量程 Capacity Klb	尺寸 Size mm								
	A	B	C	D	E	F	G	H	R
35	209.6	12.7	184.2	23.6	50.8	44.5	63.5	45.7	19.0
50	209.6	12.7	184.2	23.6	50.8	44.5	63.5	45.7	19.0

▶ 主要技术指标 SPECIFICATIONS

◇靈敏度Rated Output(mV/V)	2.00±0.01	◇輸入電阻Input Resistance(Ω)	700±10
◇非線性Nonlinearity	±0.03%FS	◇輸出電阻Output Resistance(Ω)	700±3
◇滯后Hysteresis	±0.03%FS	◇絕緣電阻Insulation Resistance	≥5000MΩ
◇重復性Repeatability	±0.02%FS	◇供橋電壓Excitation Voltage	10V(DC/AC)
◇蠕變Creep(30minutes)	±0.03%FS	◇溫度補償範圍Compensated Temperature Range	-10℃~+50℃
◇零點輸出Zero Balance	±1.00%FS	◇使用溫度範圍Operating Temperature Range	-20℃~+60℃
◇零點溫度系數Temperature Effect on Zero	±0.03%FS/10℃	◇允許過載負荷Safe Overload	120%FS
◇額定輸出溫度系數Temperature Effect on Output	±0.03%FS/10℃	◇連接電纜Cable	Φ6×5m

連接方法Cable Color Code

Input: Red(+) Black(-); Output: Green(+) White(-)
輸入：紅(+) 黑(-)；輸出：綠(+) 白(-)