

▶ KGX-2

▶ 懸臂梁稱重傳感器
SHEAR BEAM LOAD CELL

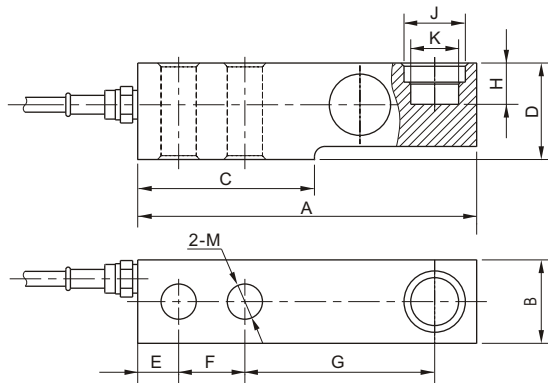
▶ 材質：合金鋼 不銹鋼
Materials: Alloy Steel Stainless Steel



KGX-2型鋼制懸臂梁式稱重傳感器，一端固定、一端加載、搖柱式壓頭傳力，並設有良好的密封結構。受力後自動調心好，安裝容易、使用方便、互換性好，可用於製作各種超薄型電子汽車衡、單軌吊秤、料鬥秤等。

Shear beam load cell, one end fixed, good seal structure, rocker load bearing
Self-centering, simple to install, easy to use, good interchangeability
Suitable for various ultrathin electronic truck scale, one-track crane scale, hopper scale, etc.

Main Dimensions and Accessories



量程 Capacity t	尺寸 Size mm										
	A	B	C	D	E	F	G	H	J	K	M
0.5-2	203.0	37.0	95.0	43.0	19.0	64.0	98.0	30.0	32.0	16.0	13.0
5	235.0	48.0	110.0	52.0	23.0	66.0	124.0	30.0	38.0	22.0	20.0
10	279.0	60.0	133.0	67.0	25.0	82.0	140.0	20.0	48.0	32.0	28.0
20	318.0	70.0	153.0	82.5	32.0	89.0	159.0	24.0	54.0	38.0	34.0

▶ 主要技术指标 SPECIFICATIONS

◇靈敏度Rated Output(mV/V)	2.00±0.01	◇輸入電阻Input Resistance(Ω)	385±10
◇非線性Nonlinearity	±0.02%FS	◇輸出電阻Output Resistance(Ω)	350±3
◇滯后Hysteresis	±0.02%FS	◇絕緣電阻Insulation Resistance	≥5000MΩ
◇重復性Repeatability	±0.01%FS	◇供橋電壓Excitation Voltage	10V(DC/AC)
◇蠕變Creep(30minutes)	±0.02%FS	◇溫度補償範圍Compensated Temperature Range	-10℃~+50℃
◇零點輸出Zero Balance	±1.00%FS	◇使用溫度範圍Operating Temperature Range	-20℃~+60℃
◇零點溫度系數Temperature Effect on Zero	±0.02%FS/10℃	◇允許過載負荷Safe Overload	120%FS
◇額定輸出溫度系數Temperature Effect on Output	±0.02%FS/10℃	◇連接電纜Cable	Φ5×6m (10m)

連接方法Cable Color Code

Input: Red(+) Black(-); Output: Green(+) White(-)
輸入：紅(+) 黑(-)；輸出：綠(+) 白(-)