

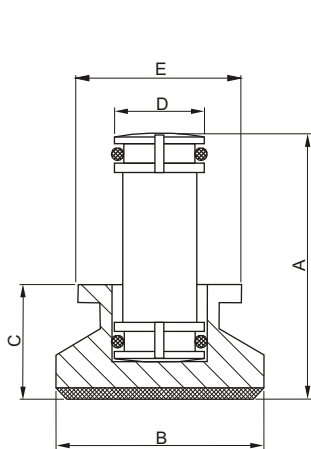
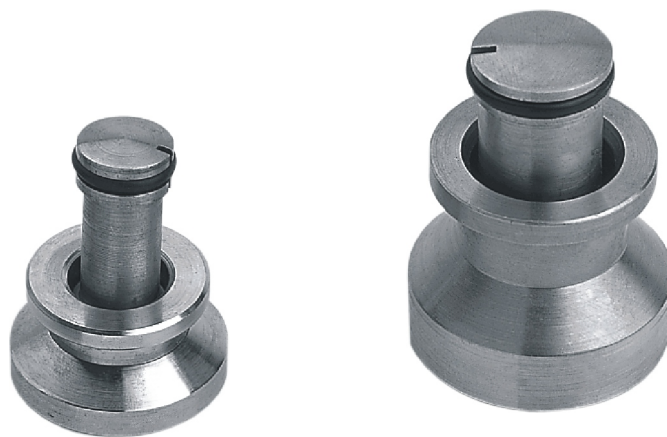
# ▶ KGX-2A

## ▶ 傳感器附件

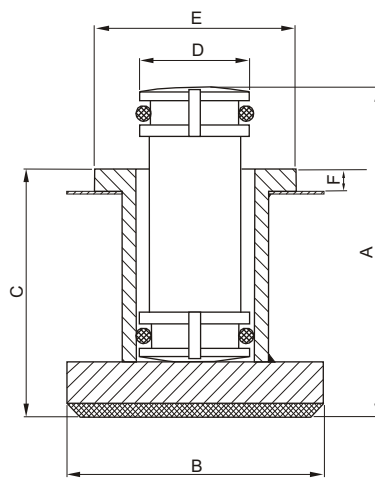
Accessories For KGX-2

## ▶ 材質：合金鋼 不銹鋼

Materials: Alloy Steel Stainless Steel



2~5t



10t, 20t

量程 Capacity t	尺寸 Size mm					
	A	B	C	D	E	F
2-3	45.0	φ 35.0	20.0	φ 15.0	φ 28.5	/
5	57.0	φ 41.5	37.0	φ 21.5	φ 35.0	/
10	81.0	φ 57.0	66.0	φ 30.0	φ 41.0	8.0
20	87.0	φ 70.0	68.0	φ 36.0	φ 47.0	10.0