

▶ KGY-1

▶ 輪輻式稱重傳感器 WHEEL SHAPED LOAD CELL

▶ 材質：合金鋼 不銹鋼
Materials: Alloy Steel Stainless Steel

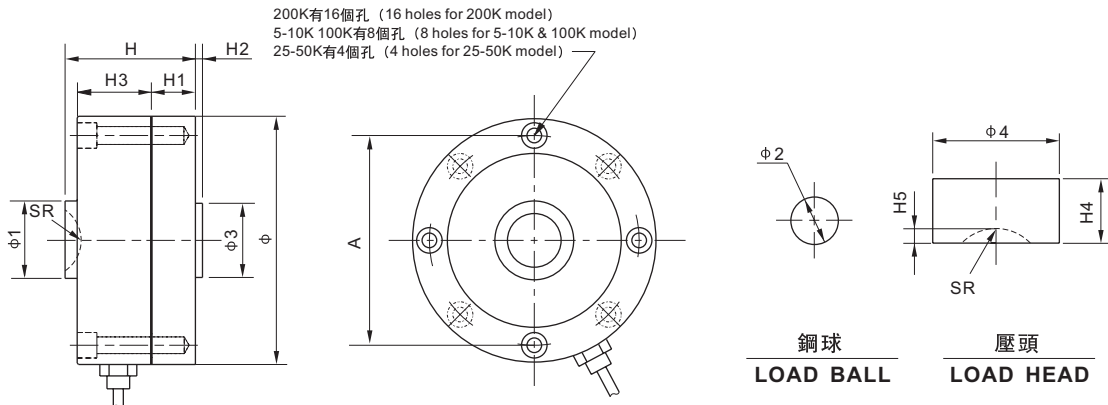


KGY-1型輪輻式傳感器，其彈性體采用短而高的剪切梁，剛性特好，抗側向力強，輸出靈敏度可達4mV/V，在結構上具有過載自鎖。防護上采用膠封和焊封，分別為IP67和IP68，因此廣泛應用於汽車衡、軌道衡、測力機和吊秤等設備上。

Wheel shaped load cell, shear beam
Good rigidity, strong side force resistance, high output to 4mV/V, overload self-locking
Potted sealed or hermetically sealed, IP 67 or IP68
Widely used in truck scale, railroad scale, tester, crane scale, etc.

Main Dimensions and Accessories

主要外形尺寸



量程 Capacity		尺寸 Size mm												
Klb	t	A	φ	φ1	φ2	φ3	φ4	H	H1	H2	H3	H4	H5	SR
0.2-15	0.1-7.5	88.9	104.7	32.0	22.2	31.8	41.0	53.8	19.0	1.0	31.8	14.0	5.0	15.9
25-50	10.-25	101.6	120.7	38.9	38.1	31.8	43.0	77.8	24.0	1.0	41.1	19.0	8.0	22.2
100	50	116.8	140.0	50.4	41.3	31.8	59.0	86.2	29.0	1.0	50.8	32.0	7.8	25.0
150-200	60-100	162.0	200.0	76.0	76.2	50.8	98.0	125.0	42.0	1.1	70.0	55.0	13.0	45.0

▶ 主要技術指標 SPECIFICATIONS

◇靈敏度Rated Output(mV/V)	2.00±0.01 4.00±0.015	◇輸入電阻Input Resistance(Ω)	385±15 765±15
◇非線性Nonlinearity	±0.02%FS ±0.03%FS	◇輸出電阻Output Resistance(Ω)	350±3 700±5
◇滯后Hysteresis	±0.02%FS ±0.03%FS	◇絕緣電阻Insulation Resistance	≥5000MΩ
◇重復性Repeatability	±0.015%FS	◇供橋電壓Excitation Voltage	10V(DC/AC)
◇蠕變Creep(30minutes)	±0.02%FS	◇溫度補償範圍Compensated Temperature Range	-10°C~+50°C
◇零點輸出Zero Balance	±1.00%FS	◇使用溫度範圍Operating Temperature Range	-20°C~+60°C
◇零點溫度系數Temperature Effect on Zero	±0.02%FS/10°C	◇允許過載負荷Safe Overload	120%FS
◇額定輸出溫度系數Temperature Effect on Output	±0.02%FS/10°C	◇連接電纜Cable	Φ6×9m

連接方法Cable Color Code

Input: Red(+) Black(-); Output: Green(+) White(-)
輸入：紅(+) 黑(-)；輸出：綠(+) 白(-)