

# ▶ KGY-6

▶ 低外型傳感器  
LOW PROFILE LOAD CELL

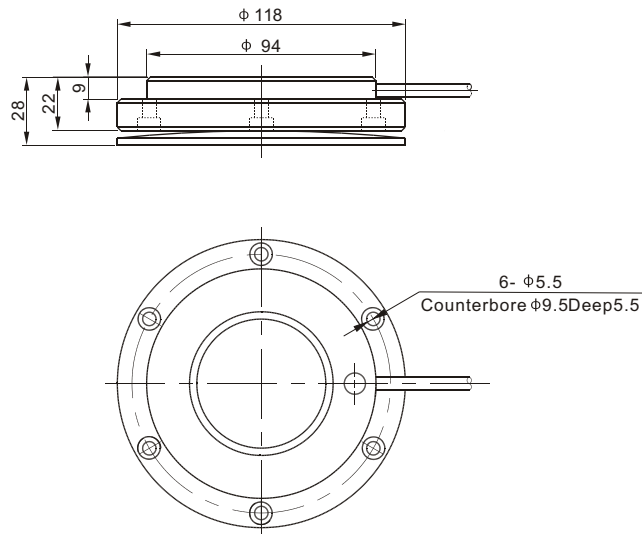
▶ 材質：合金鋼 不銹鋼  
Materials: Alloy Steel Stainless Steel



## INTERCHANGEABLE PRODUCTS

Manufacturer \_\_\_\_\_ Mode \_\_\_\_\_  
CAS.....CPA

Main Dimensions and Accessories  
主要外形尺寸



量程 **Capacity:** 0.5,1,1.5,2,3,5t

## ▶ 主要技術指標 SPECIFICATIONS

◇靈敏度Rated Output(mV/V)	1.60±0.1	◇輸入電阻Input Resistance(Ω)	750±10
◇非線性Nonlinearity	±0.1%FS	◇輸出電阻Output Resistance(Ω)	700±7
◇滯后Hysteresis	±0.1%FS	◇絕緣電阻Insulation Resistance	≥5000MΩ
◇重復性Repeatability	±0.03%FS	◇供橋電壓Excitation Voltage	10V(DC/AC)
◇蠕變Creep(30minutes)	±0.03%FS	◇溫度補償範圍Compensated Temperature Range	-10℃~+50℃
◇零點輸出Zero Balance	±2.00%FS	◇使用溫度範圍Operating Temperature Range	-20℃~+60℃
◇零點溫度系數Temperature Effect on Zero	±0.05%FS/10℃	◇允許過載負荷Safe Overload	120%FS
◇額定輸出溫度系數Temperature Effect on Output	±0.05%FS/10℃	◇連接電纜Cable	Φ4×1m

### 連接方法Cable Color Code

Input: Red(+) Black(-); Output: Green(+) White(-)  
輸入：紅(+) 黑(-)；輸出：綠(+) 白(-)