

KMS-2

► 稱重傳感器
TENSION LOAD CELL

► 材質：合金鋼 不銹鋼
Materials: Alloy Steel Stainless Steel

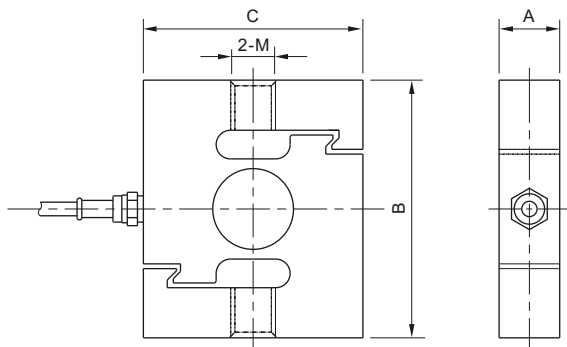


KMS-2型鋼制“S”型稱重傳感器，承受拉、壓外力均可，輸出對稱性好，結構緊湊、安裝方便，規格齊全具有過載保護結構，安全性好。可用于制造機電結合秤、吊鈎秤、料鬥秤及各種專用秤、工藝秤等。

S type load cell, tension and compression
Good output symmetry, compact structure, overload protected, high security
Simple to install, full range of capacities
Suitable for electromechanical scale, crane scale, hopper scale and various special scales.

Main Dimensions and Accessories

主要外形尺寸



| 量程 Capacity | | 尺寸 Size mm | | | 螺紋 Thread | |
|-------------|----------|------------|-----|-----|-----------|----------|
| Klb | t | A | B | C | 公制 mm | 英制 inch |
| 0.25-1.5 | 0.1-0.75 | 19.1 | 80 | 70 | M12X1.75 | 1/2-20 |
| 2-3 | 1-1.5 | 25.4 | 80 | 70 | M12X1.75 | 1/2-20 |
| 5-10 | 2-5 | 25.4 | 108 | 92 | M18X1.5 | 3/4-16 |
| 20 | 10 | 51 | 178 | 130 | M30X2 | 1 1/4-12 |
| 40 | 20 | 60 | 190 | 160 | M39X2 | 1 1/2-12 |

► 主要技術指標 SPECIFICATIONS

| | | | |
|---------------------------------------|---------------------|--------------------------------------|------------|
| ◇靈敏度Rated Output(mV/V) | 2.00±0.01 3.00±0.01 | ◇輸入電阻Input Resistance(Ω) | 385±10 |
| ◇非線性Nonlinearity | ±0.02%FS | ◇輸出電阻Output Resistance(Ω) | 350±3 |
| ◇滯后Hysteresis | ±0.02%FS | ◇絕緣電阻Insulation Resistance | ≥5000MΩ |
| ◇重復性Repeatability | ±0.01%FS | ◇供橋電壓Excitation Voltage | 10V(DC/AC) |
| ◇蠕變Creep(30minutes) | ±0.02%FS | ◇溫度補償範圍Compensated Temperature Range | -10℃~+50℃ |
| ◇零點輸出Zero Balance | ±1.00%FS | ◇使用溫度範圍Operating Temperature Range | -20℃~+60℃ |
| ◇零點溫度系數Temperature Effect on Zero | ±0.02%FS/10℃ | ◇允許過載負荷Safe Overload | 120%FS |
| ◇額定輸出溫度系數Temperature Effect on Output | ±0.02%FS/10℃ | ◇連接電纜Cable | Φ5×5m |

連接方法Cable Color Code

Input: Red(+) Black(-); Output: Green(+) White(-)
輸入：紅(+) 黑(-)；輸出：綠(+) 白(-)