

# KPE-12

► 稱重傳感器  
LOAD CELL

► 材質：不銹鋼  
Material: Stainless Steel

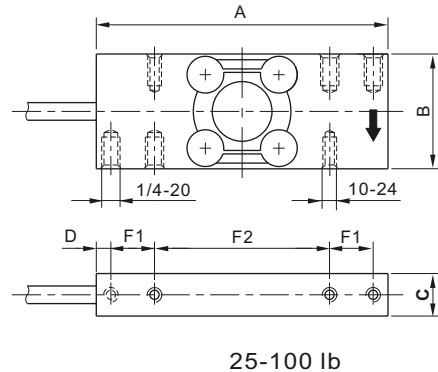
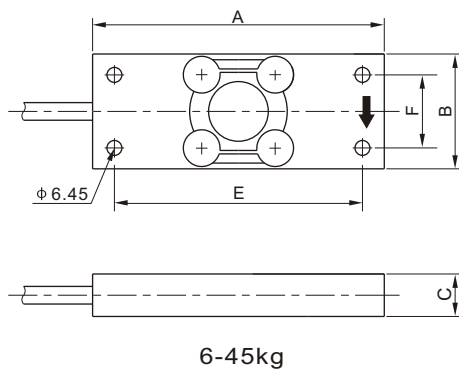


## INTERCHANGEABLE PRODUCTS

Manufacturer \_\_\_\_\_ Mode \_\_\_\_\_

Rever Transducers.....HPS  
Sensortronics.....60064  
Cotiinc.....CI-42

Main Dimensions and Accessories



量程 Capacity		尺寸 Size mm							
lb	kg	A	B	C	D	E	F	F1	F2
25	6-11.3	127.0	50.2	18.5	6.35	108.0	31.8	19.0	76.2
50	22.7	127.0	49.5	18.5	6.35	108.0	31.8	19.0	76.2
100	45.4	127.0	46.2	23.8	6.35	108.0	31.8	19.0	76.2

## ► 主要技術指標 SPECIFICATIONS

◇ 靈敏度 Rated Output (mV/V)	2.0 ± 0.01    3.0 ± 0.01	◇ 輸入電阻 Input Resistance (Ω)	385 ± 10
◇ 非線性 Nonlinearity	± 0.02% FS	◇ 輸出電阻 Output Resistance (Ω)	350 ± 3
◇ 滯后 Hysteresis	± 0.02% FS	◇ 絕緣電阻 Insulation Resistance	≥ 5000M Ω
◇ 重復性 Repeatability	± 0.01% FS	◇ 供橋電壓 Excitation Voltage	10V (DC/AC)
◇ 蠕變 Creep (30 minutes)	± 0.02% FS	◇ 溫度補償範圍 Compensated Temperature Range	-10°C ~ +50°C
◇ 零點輸出 Zero Balance	± 1.00% FS	◇ 使用溫度範圍 Operating Temperature Range	-20°C ~ +60°C
◇ 零點溫度系數 Temperature Effect on Zero	± 0.02% FS/10°C	◇ 允許過載負荷 Safe Overload	120% FS
◇ 額定輸出溫度系數 Temperature Effect on Output	± 0.02% FS/10°C	◇ 連接電纜 Cable	Φ5 × 3(5)m