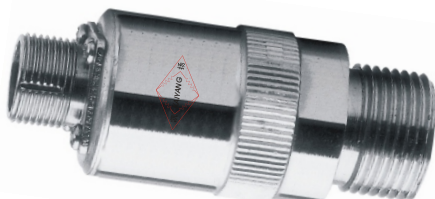




▶ 壓強測力傳感器
PRESSURE LOAD CELL

▶ 材質：合金鋼 不銹鋼
Materials: Alloy Steel Stainless Steel

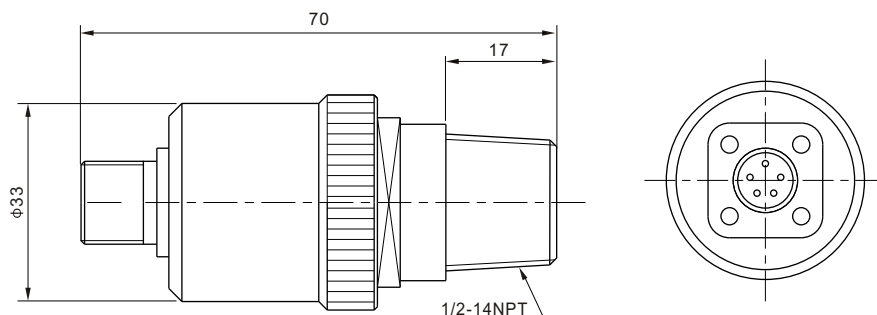


CYR型壓力傳感器採用圓膜片受力形式，適合各種氣體、液體壓力測量的場合使用。

Pressure load cell, circular diaphragm force-bearing
Suitable for measurement of gas, liquid pressure.

Main Dimensions and Accessories

主要外形尺寸



量程 **Capacity:** 1,2,3,5,10,20,30,50,60 MPa
1kgf/cm²≈0.9 807MPa=14.23 PSI

▶ 主要技術指標
SPECIFICATIONS

◇靈敏度Rated Output(mV/V)	1.00±0.01	◇輸入電阻Input Resistance(Ω)	385±10
◇非線性Nonlinearity	±0.5%FS	◇輸出電阻Output Resistance(Ω)	350±3
◇滯后Hysteresis	±0.5%FS	◇絕緣電阻Insulation Resistance	≥5000MΩ
◇重復性Repeatability	±0.3%FS	◇供橋電壓Excitation Voltage	10V(DC/AC)
◇蠕變Creep(30minutes)	±0.5%FS	◇溫度補償範圍Compensated Temperature Range	-10℃~+50℃
◇零點輸出Zero Balance	±1.00%FS	◇使用溫度範圍Operating Temperature Range	-20℃~+60℃
◇零點溫度系數Temperature Effect on Zero	±0.5%FS/10min	◇允許過載負荷Safe Overload	120%FS
◇額定輸出溫度系數Temperature Effect on Output	±0.5%FS/10min	◇連接電纜Cable	Φ5×3m

連接方法Cable Color Code
Input: Red(+) Black(-); Output: Green(+) White(-)
輸入：紅 (+) 黑 (-) ; 輸出：綠 (+) 白 (-)